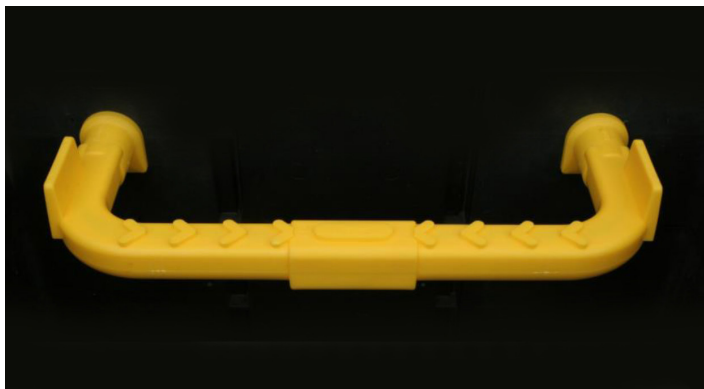
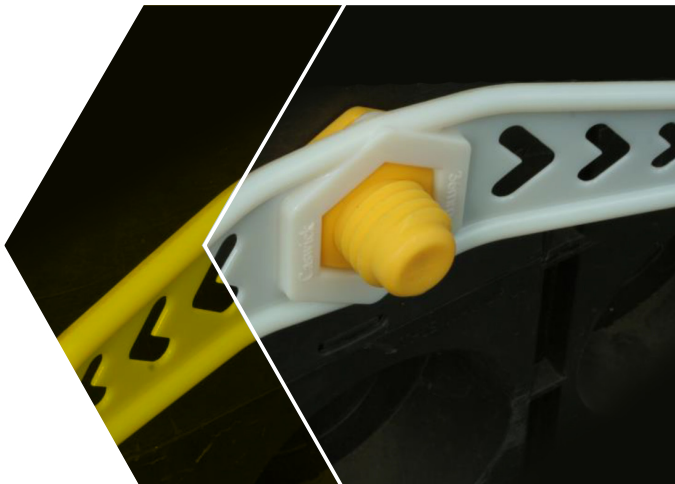


Description:

The bolt through step is intended to provide access and egress from underground man entry chambers. The step is designed to be fitted at the chamber manufactures premises or on site by passing the end of the step through formed holes and securing with nuts on the outside of the chamber.



Application:

The Caswick bolt through step is primarily designed to work with curved or flat walled plastic, GRP or concrete chambers with a wall thickness of up to 66mm. Two 28mm diameter holes are formed at 300mm horizontal centres, the step is pushed through and the nut is secured on the back with a 36mm spanner.

Options:

The step is ordered to work with either a flat wall or a curved wall. The curved wall version is supplied with variable angle washers to adapt to chamber diameters of 900mm plus. Alternatively a stainless steel version is available suitable for 100mm, 150mm or 200mm nominally thick walls, contact Caswick for further information.

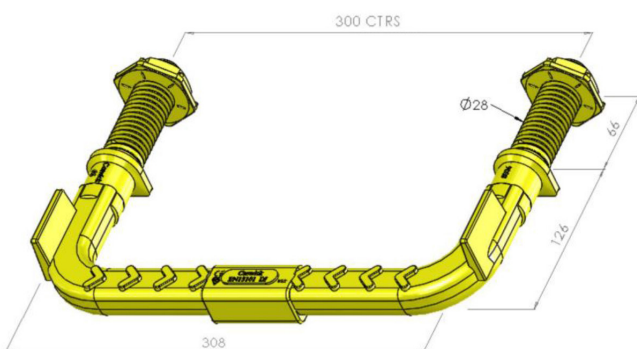
Performance:

The Caswick bolt through step is CE certified and manufactured in a UK located factory operating an ISO9000 based quality system. The ultimate performance of the product is subject to installation.

Specification:

The step is manufactured from virgin polypropylene with carbon steel tubular reinforcement. The nut is manufactured from virgin polypropylene. The step is coloured yellow for high visibility, has a none slip tread and boot stops. The nut has anti-rotation features.

SS601 - Bolt Through Step for Flat Walls



SS611 - Bolt Through Step for Curved Walls

