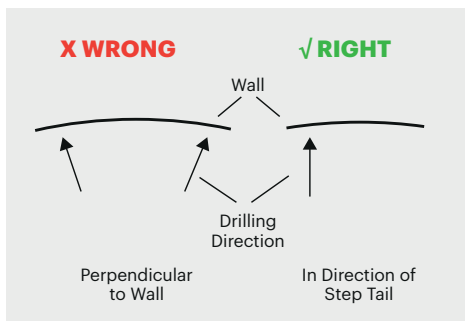


Description:

These steps are suitable for building into new brickwork or fitting in existing structures. Steps can be built into the mortar gap between the bricks or into 14mm drilled holes. The galvanised steel and virgin polypropylene offer excellent corrosion resistance and a bright, non-slip surface for safety. A stainless steel version is available for highly corrosive environments. Contact us for chemical resistance details of polypropylene and other technical information.

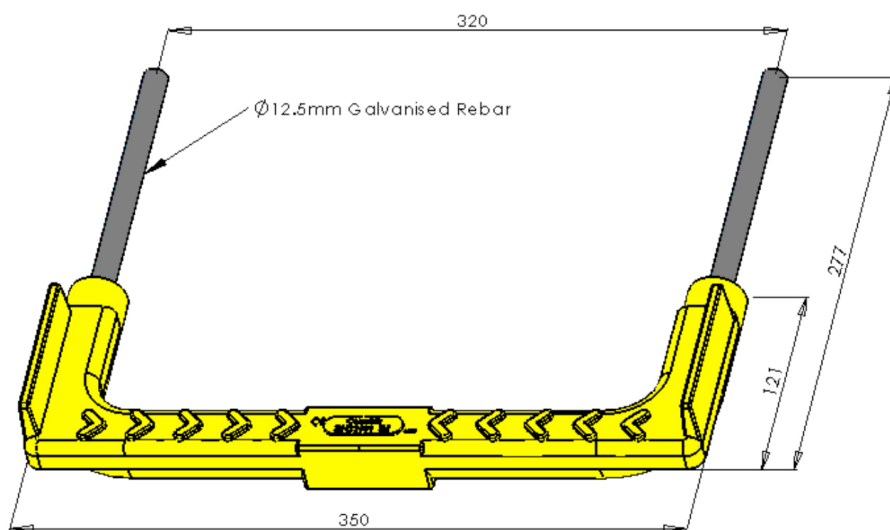


Fitting to New Brickwork:

1. The steps are designed to suit the joints between bricks.
2. Double steps will fit between a full brick and one cut just less than half a brick or in the horizontal gap.
3. Insert a step every three to four courses of bricks depending on the size of brick and application.
4. Vertical joints need to be at 320mm for double steps.

Fitting to Existing Structures:

1. Drill two 14mm diameter holes parallel and 320mm apart at least 150mm deep.
2. Apply an epoxy grout or suitable cementitious grout to the tails and push into the holes.



Order Details:

Description	Quantity per Box	Product Code
Step 320 Brick	10	SS402